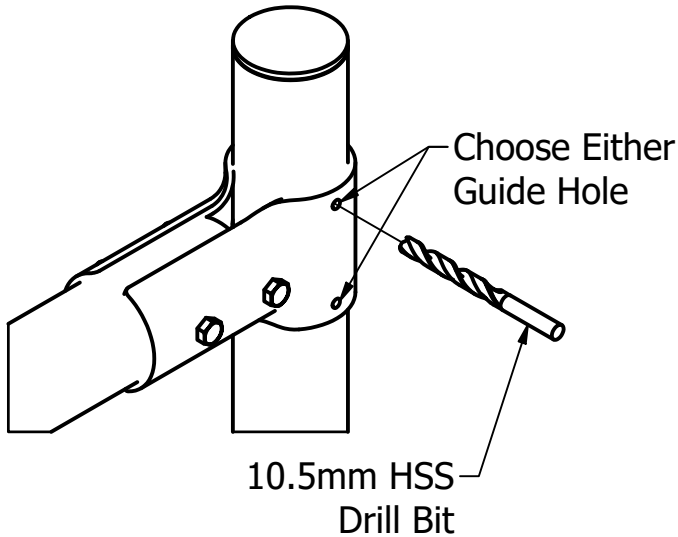


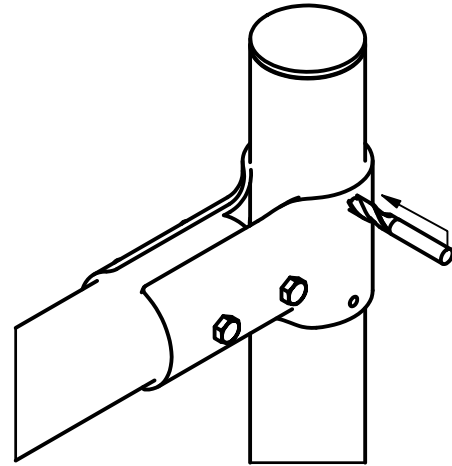
Bolting the Single Clamp to the Post

Note: The Double Clamp is not required to be bolted to the post.

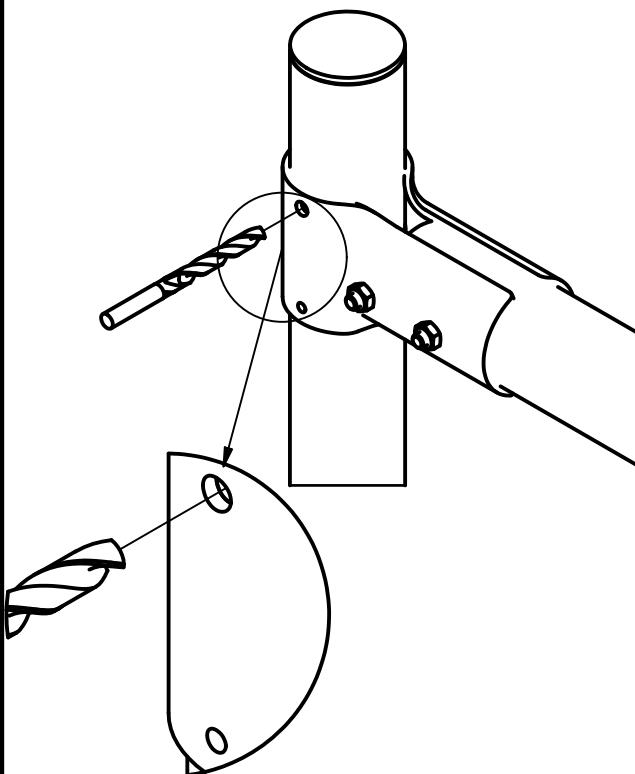
1. Choose Guide Hole



2. Drill 1st Hole



3. Drill 2nd Hole



4. Install Bolt

