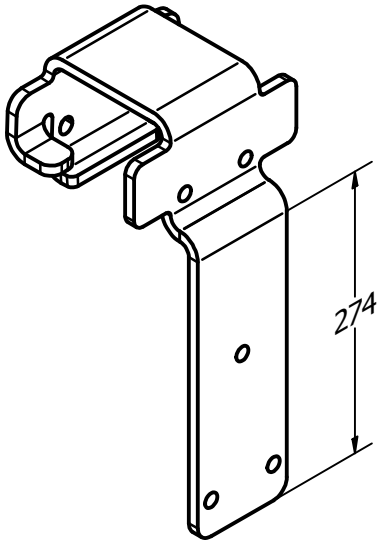
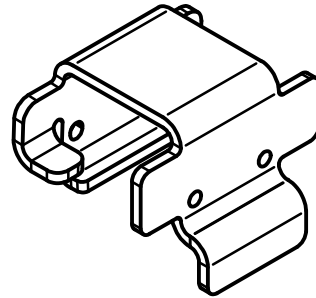


# Evolve Feed Barrier Steel Section Mounting Configurations

## Stub Wall Bracket

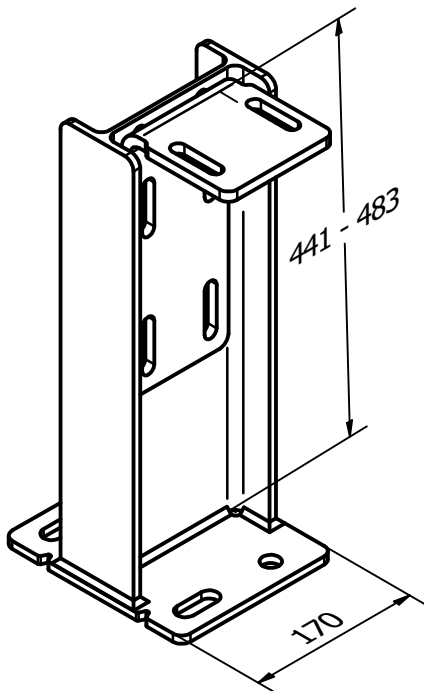


## Joiner Bracket

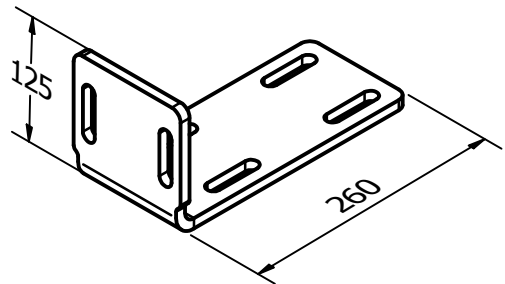


## IPE Leg & L-Bracket Assembly

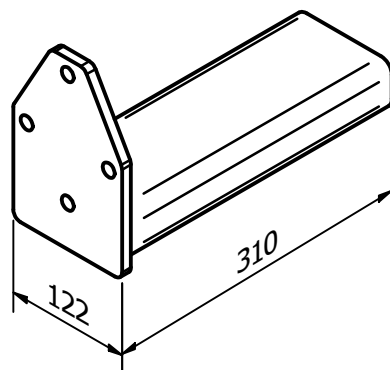
\*Additional cost



## IPE L-Bracket



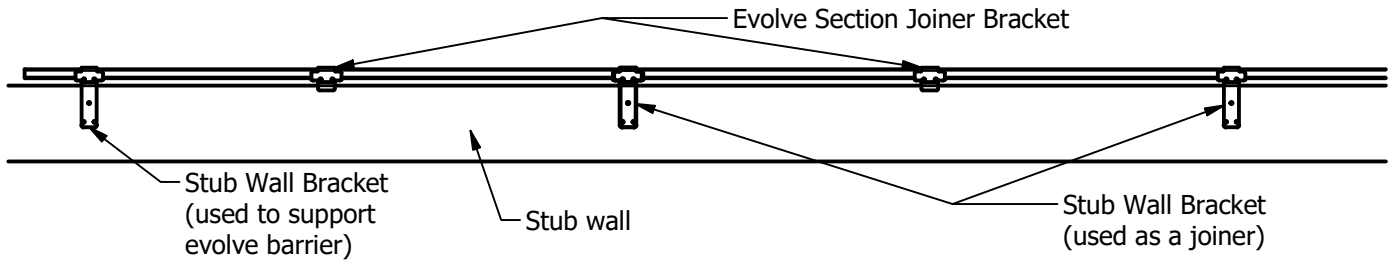
## IPE Internal Sleeve Bracket



# Mounting Evolve Steel Section to a Stub Wall

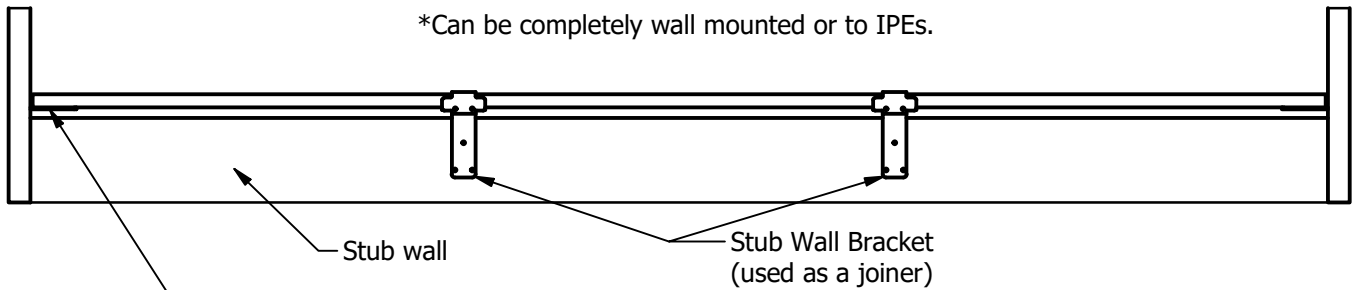
## \*Examples

### Open Span

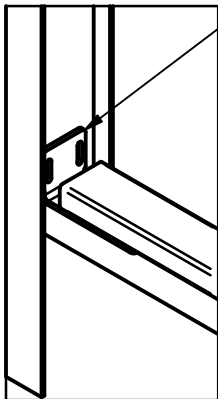


### Stub Wall Between IPEs

\*Can be completely wall mounted or to IPEs.

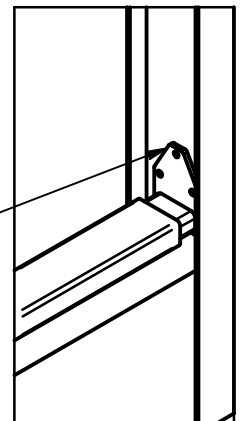


#### IPE Mount Option 1 L-Bracket



\* IPE L-Bracket mounted directly to existing IPE supporting Evolve Feed Barrier

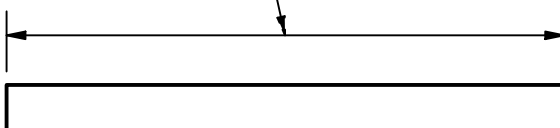
#### IPE Mount Option 2 IPE Internal Sleeve Bracket



Evolve steel section joined to IPE with Internal Sleeve Bracket.

## Evolve Steel Barrier Section - Length Options

Available in the following lengths  
1475, 1600, 1843, 1995, 2365,  
4800 & 5950mm.

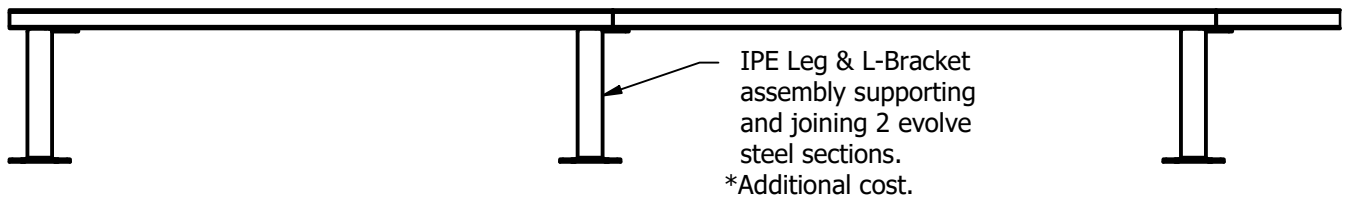


\* These lengths can be adjusted where needs be. Combinations can be used to make up desired lengths. For Shipping purposes its best to use combinations of lengths less than 2m. Unless you are taking stock or shipping full loads direct to farm.

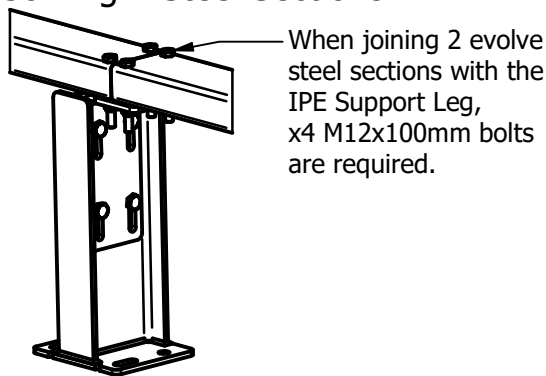
# Mounting Evolve Steel Section with IPE Leg & L-Bracket Assembly

- \* IPE Leg & L-Bracket Assembly should be used where there is no stub wall as a support under where there is more than one box section between mounting posts.
- \* Can be used to mount ends to where there is no suitable stub wall and the existing posts are not suitable to mount to either. Timber panels can then be inserted by the customer.

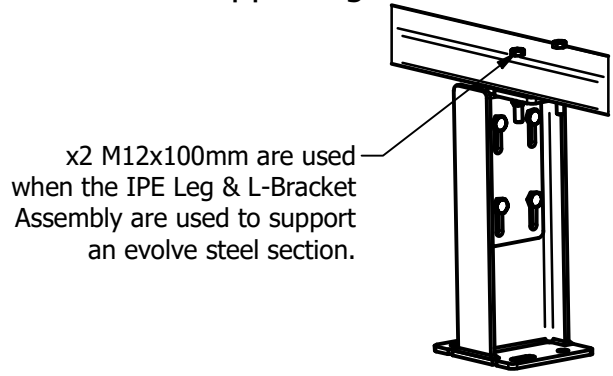
## IPE Support Leg Joiner



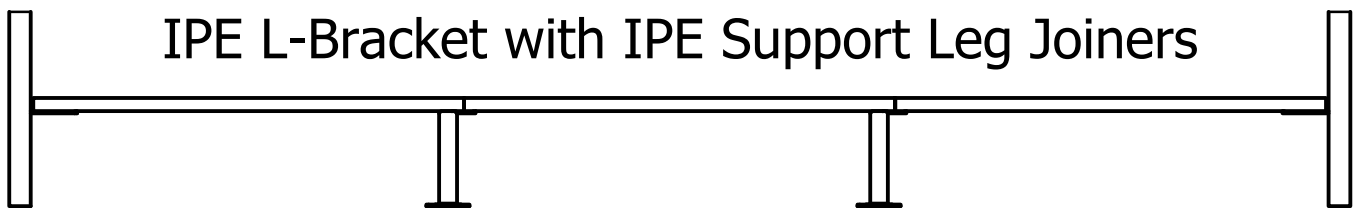
### IPE Support Leg Joining 2 Steel Sections



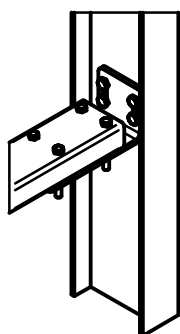
### IPE Support Leg Supporting 1 Steel Section



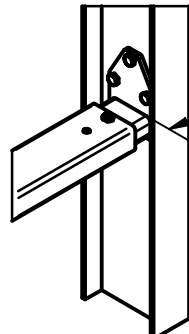
## IPE L-Bracket with IPE Support Leg Joiners



### L-Bracket



### Internal Sleeve Bracket

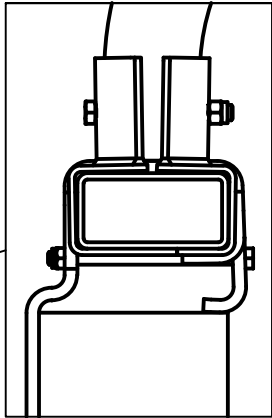
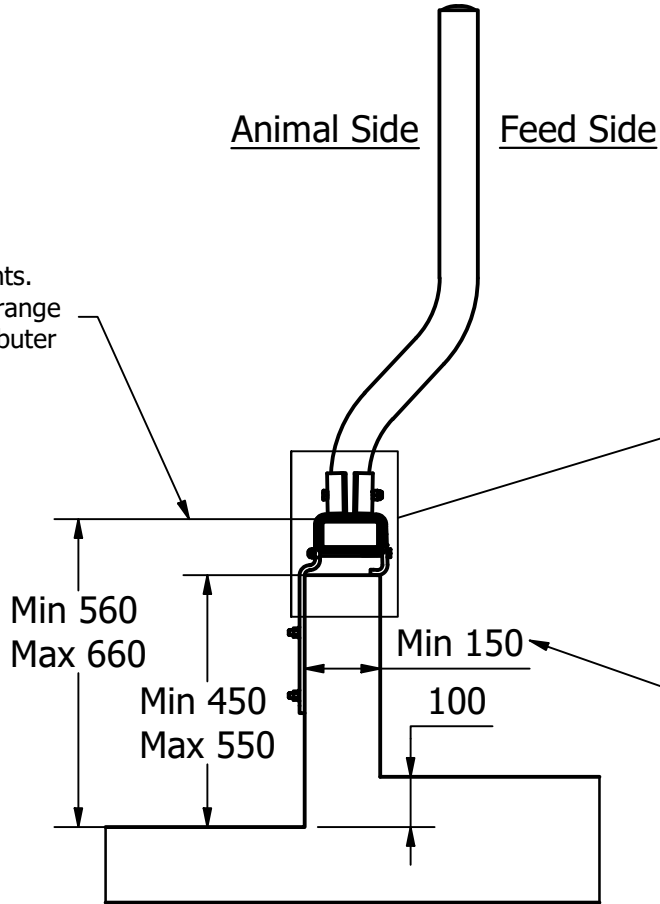


The Internal Sleeve Bracket can be used as an alternative to the IPE L-Bracket.

# Stub Wall Dimensions

**Note:**

These are recommended heights. If the stub wall is outside this range please contact your local distributor for recommendations.



**Note:**  
The stub wall must be reinforced concrete.

# Evolve Feed Barrier Spacing

