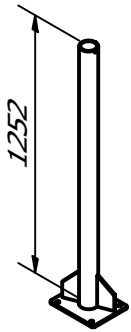


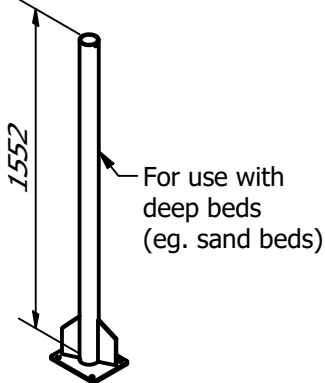
# Cubicle / Freestall Configuration

## Post Type

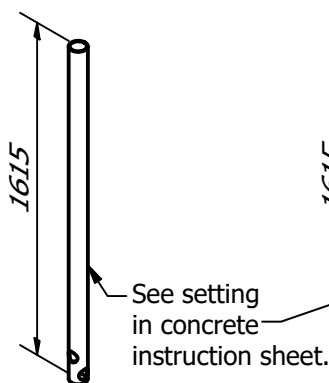
Bolt Down



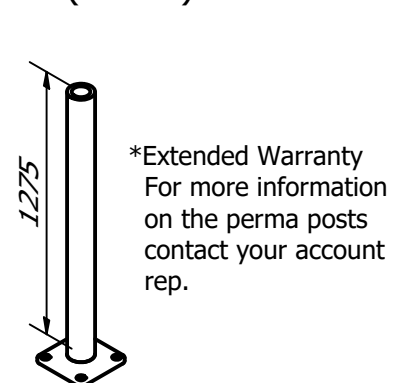
XL Bolt Down



Set in Concrete

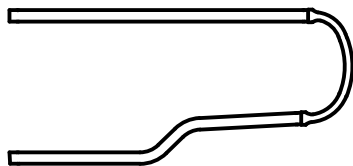


Perma Posts (Plastic)



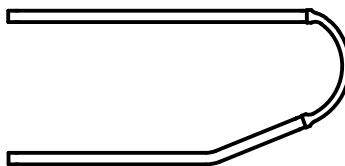
## Style & Colour

Dream



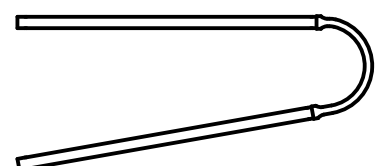
Contoured for extra comfort.

Siesta



Recommended for sand/deep beds.

Calm

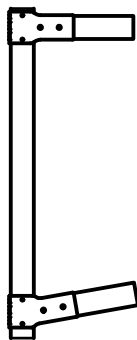


Standard model

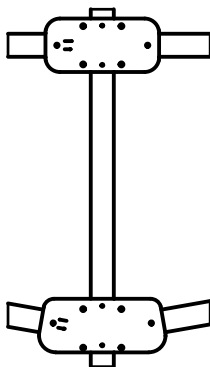
Note: each cubicle style is available in green, blue or red. ■ ■ ■

## Clamps

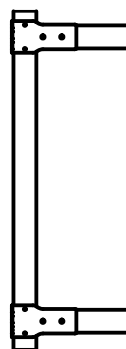
Sgl Calm



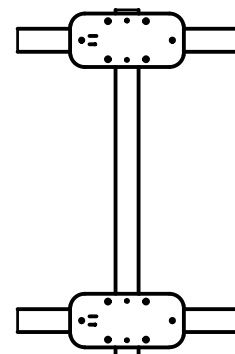
Dbl Calm



Sgl Dream/Siesta



Dbl Dream/Siesta



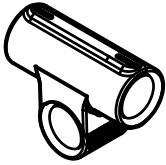
## Cubicle Pipe Length Matrix

Bed Length	1.8m / 5'11"	2m / 6'7"	2.2m / 7'3"
4572 - 4877 mm (15' - 16')	✓		
4877 - 5182 mm (16' - 17')		✓	
5182 - 5486 mm (17' - 18')			✓

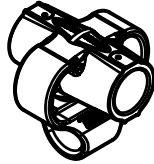
# Cubicle / Freestall Configuration

## Coupling Type & Neckrail Options

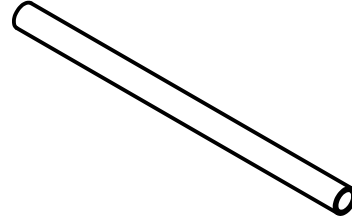
Rigid / Fixed



Flexible



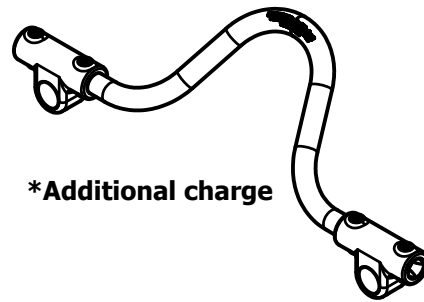
Standard Neckrail



\*Note Standard Neckrail can be sold as 6m, 1.2m or 1.15m lengths. Shorter neckrail lengths are more cost effective for shipping.

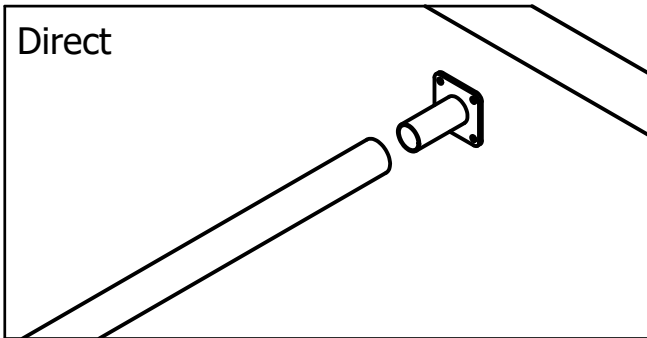
\*For more information on the Arched Neckrail contact your account rep.

Arched Neckrail & Couplings

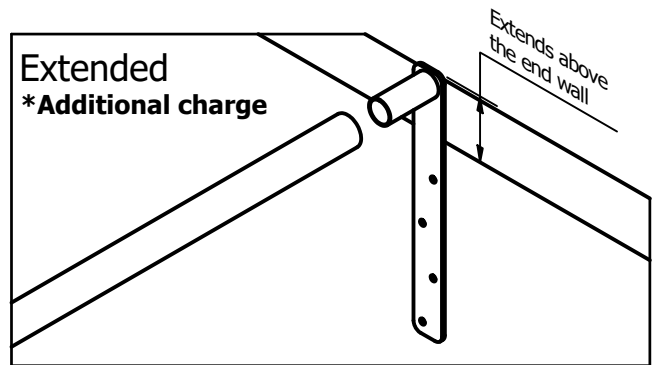


## End Wall Options

Direct

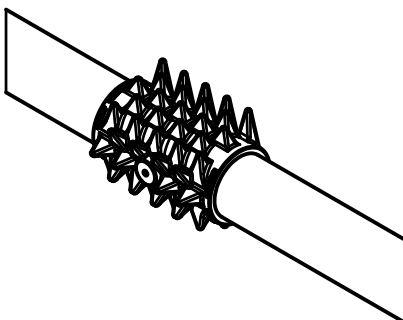


Extended  
\*Additional charge

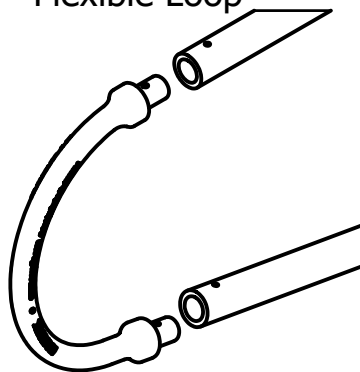


## Included as Standard

Scratcher

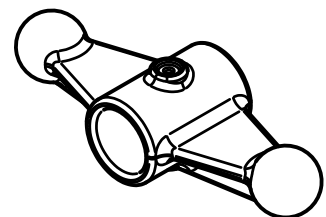


Flexible Loop



## Optional Extras

Cow Guide



\*Additional charge