



LIVESTOCK COMFORT

Cubicle/Freestall

Installation Manual



WWW.EASYFIX.COM

Persse Business Park, Ballinasloe, Co. Galway, H53 VK10

CIM V1 20


Safety & Care Advice

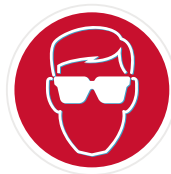
Thank you for purchasing your new EASYFIX™ Cubicle!

Important

Please note the following safety instructions.

EASYFIX™ is not liable for damages due to non-compliance.

- Read all instructions carefully.
- Check you have all required components and fixings listed on pages 2 & 3.
- We recommend the use of power tools when screwing the fixings.
- If drilling is required, ensure there are no water pipes where you intend to drill.
- Dispose of packaging carefully and responsibly. 



Helpful Tips

- Assemble the parts in the correct order as outlined in this manual first, then fix after all parts are assembled.
- If multiple cubicles are being assembled, carry out Step 1 for all of the cubicles, then Step 2 for all of them and so on.
- Scan the QR code below for video instructions on assembly.

Cubicle Assembly Video

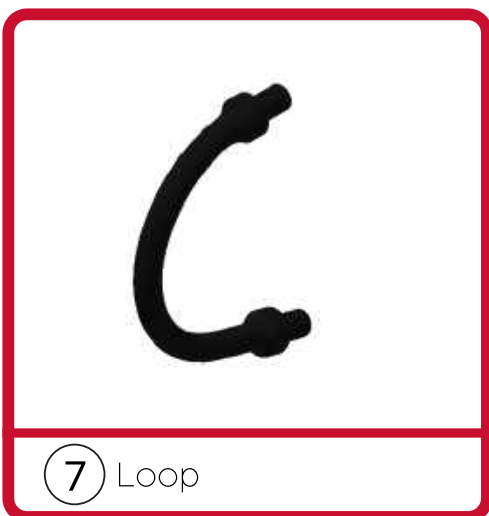
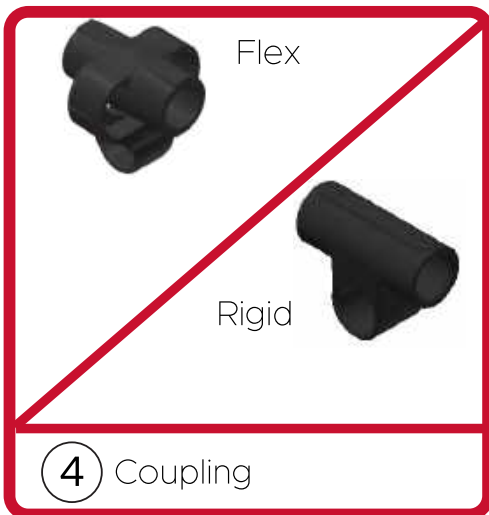
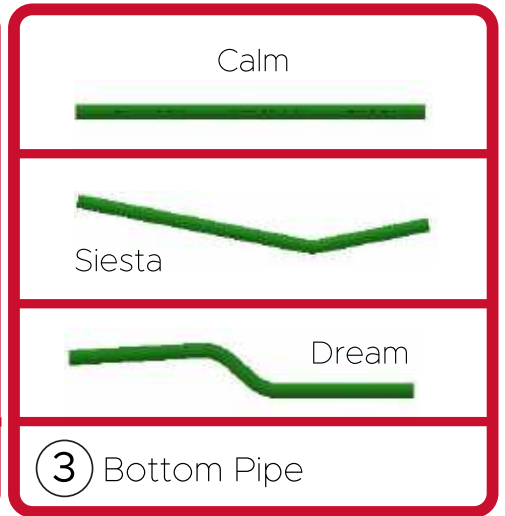
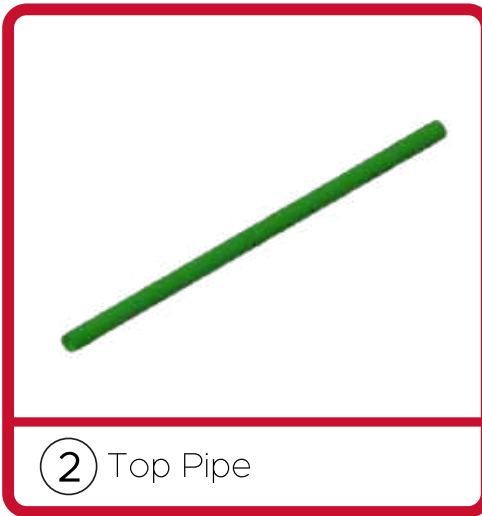
1. Open the camera on your phone.
2. Point your phone at the QR code to the right and scan it.
3. Tap the pop-up notification at the top of your screen.
4. You will then be brought to the cubicle assembly video.



SCAN ME

Parts for Assembly

Components



* May or may not be applicable to your order

Abbreviations

SIC = Set In Concrete

BTF = Bolt To Floor

WM = Wall Mounted

Parts for Assembly

Fixings



(A) M8 x 75mm Screw



(B) M8 Rivet Nut



(C) M6 x 40mm Screw



(D) 25mm Washer



(E) M8 x 90mm Bolt



(F) M8 Nut



*

(G) 50mm SS screw



*

(H) Plastic Plug



*

(I) 80mm SS Screw

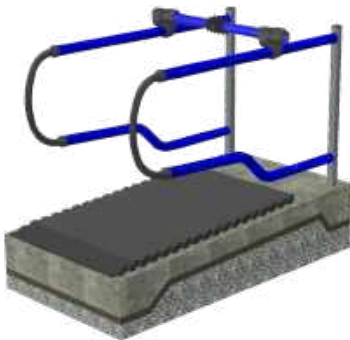
* May or may not be applicable to your order

Assembly Overview

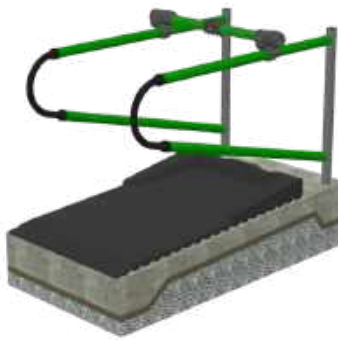
Models

All assembly instructions are consistent throughout all cubicle models. The green Calm model is used for illustration purposes. All models are available in three colours, seen below.

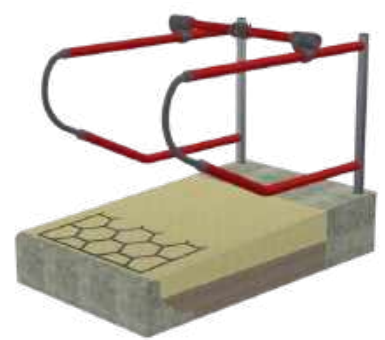
Dream



Calm



Siesta



Important Assembly Notes

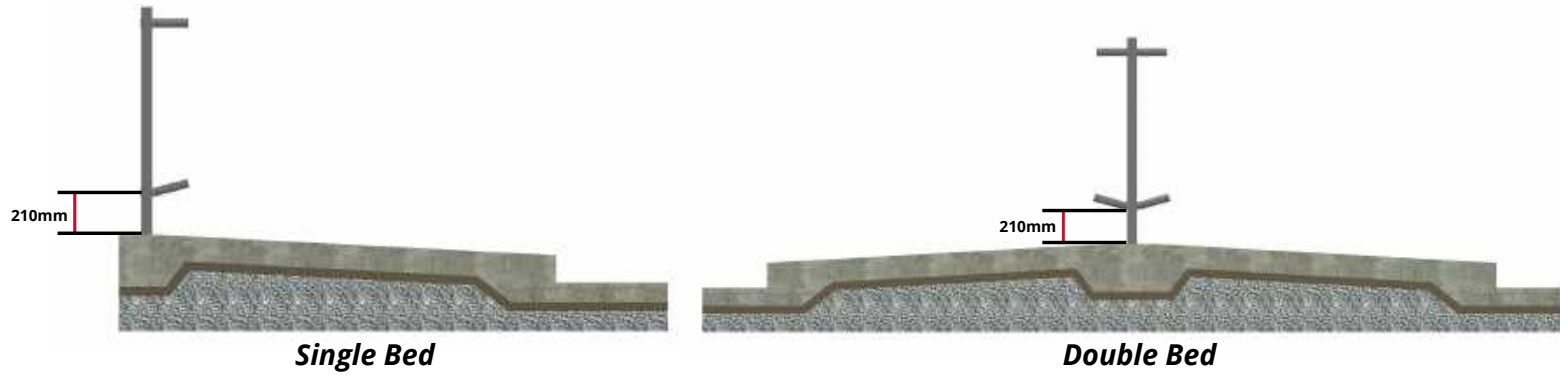
- The top and bottom pipe for the Calm model are the same, but for the purpose of the manual they will be labelled separately, just to account for the different top and bottom pipes in the Dream and Siesta models.
- The positioning measurements in the appendices are applicable to the Set In Concrete, Bolt To Floor and Wall Mounted configurations, but for illustrative purposes only the Set In Concrete model is used.
- All measurements are EASYFIX™ recommended and are just a guideline for the assembly. Beds may vary in size and look but the measurement recommendations for positioning remain consistent.

Assembly Instructions

Step 1 - Post Setup

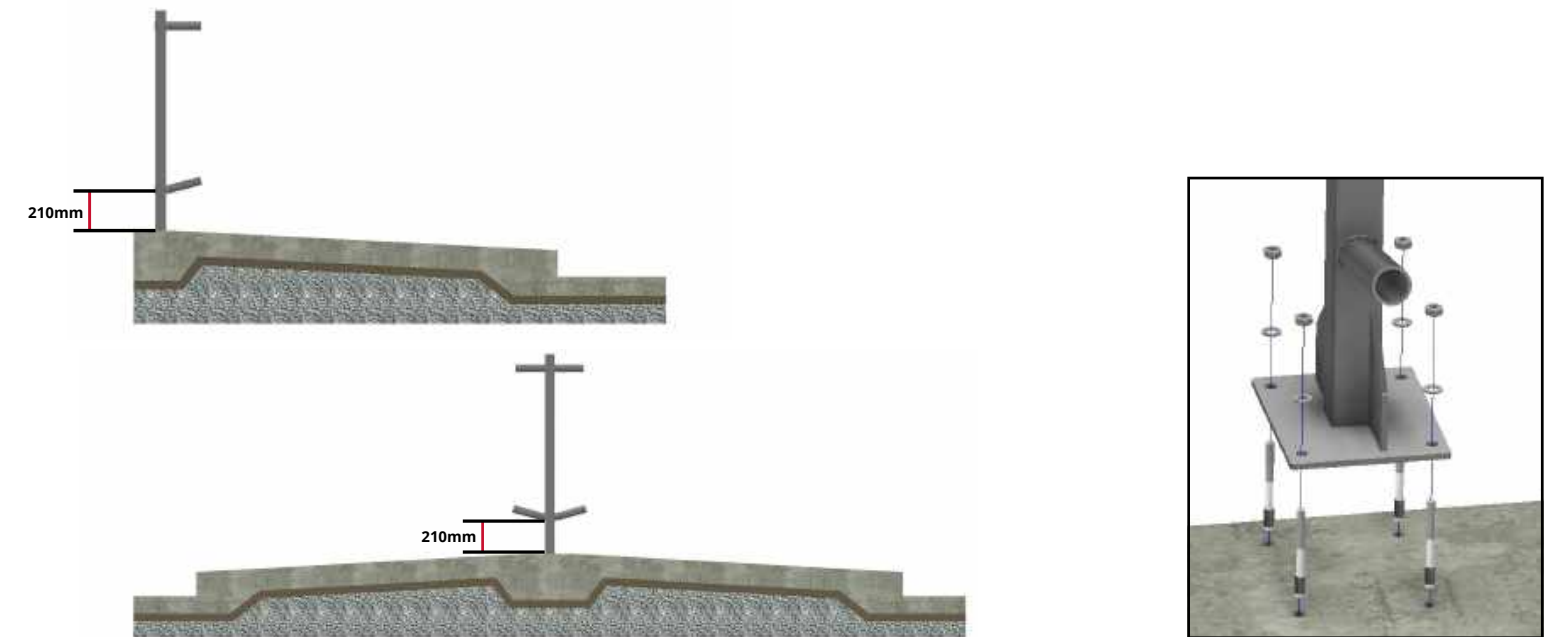
- EASYFIX™ recommends a cubicle bed slope of 3-4%.
- Refer to Appendix A and Appendix B at the back of your manual for full positioning guidelines for the Single and Double post cubicles.

Step 1.1 - Set In Concrete



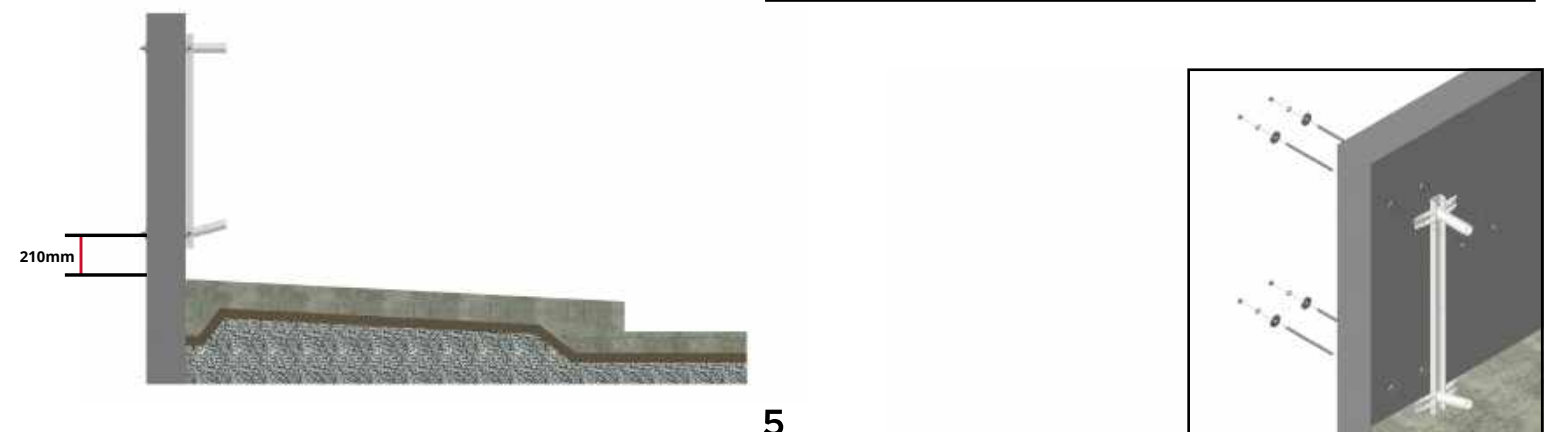
Step 1.2 - Bolt To Floor

Anchor Bolt bit size: 12mm Masonry Bit, 150mm deep



Step 1.3 - Wall Mounted

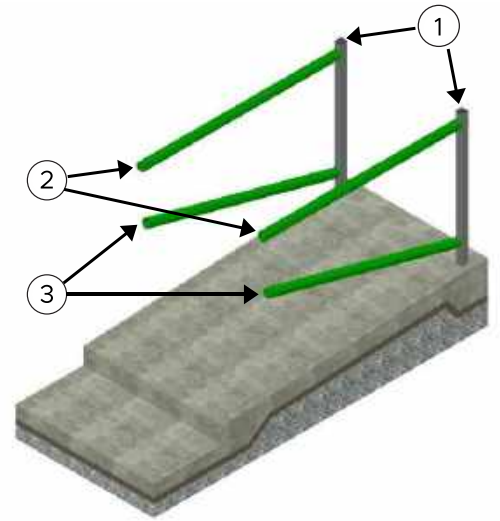
Threaded Bar bit size: 14mm Masonry Bit
Anchor Bolt bit size: 12mm Masonry Bit, 150mm deep



Assembly Instructions

Step 2

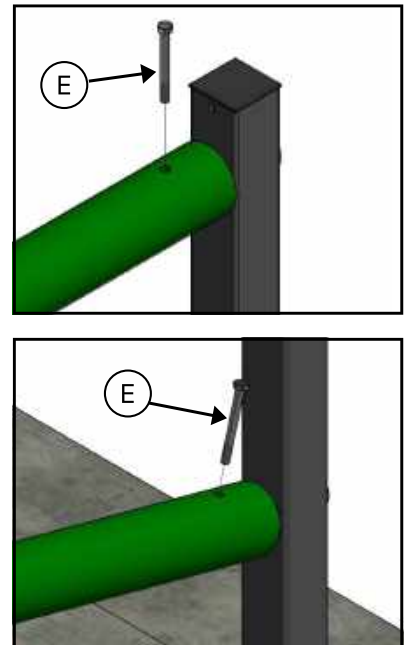
- Slide the top pipes (2) on to the top stems of the posts (1).
- Slide the bottom pipes (3) on to the bottom stems of the posts (1).



PARTS LIST	
ITEM ID	PART NAME
2	Top Pipe
3	Bottom Pipe

Step 3

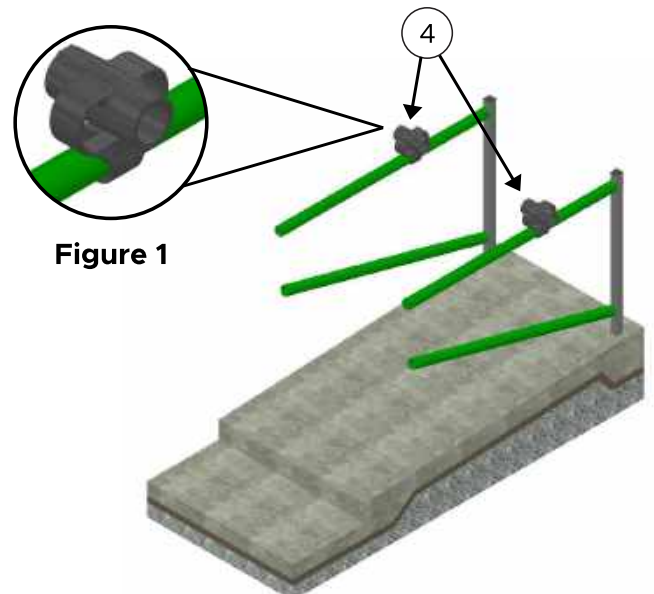
- Ensure the predrilled holes in all of the paired components line up.
- Drop in an M8 x 90mm Bolt (E) on the top and bottom pipe/stem to maintain correct pipe positioning.
- For the Dream and Siesta models, ensure that the pipes are in the correct orientation.



PARTS LIST	
ITEM ID	PART NAME
E	M8 x 90mm Bolt

Step 4

- Slide a coupling (4) along each of the top pipes (2).
- Ensure the coupling is put on in the correct orientation, as seen in Figure 1.

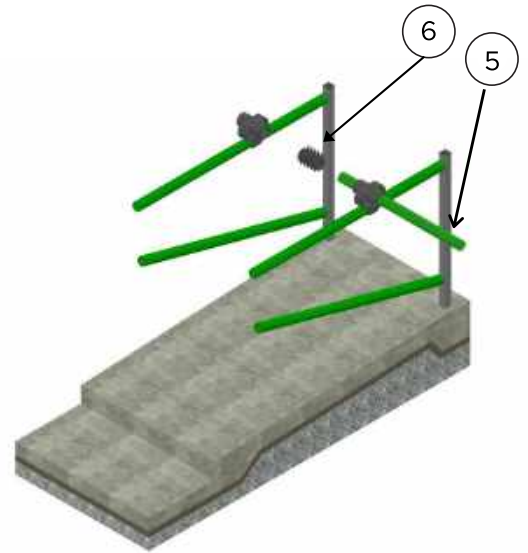


PARTS LIST	
ITEM ID	PART NAME
4	Coupling

Assembly Instructions

Step 5

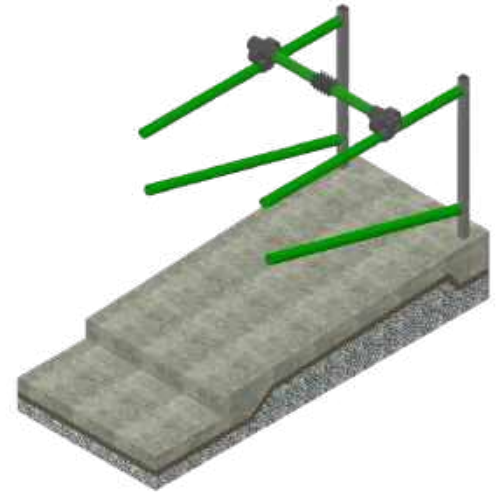
- Insert the neckrail (5) through the coupling (4) from one side and through the scratcher (6).



<i>PARTS LIST</i>	
ITEM ID	PART NAME
5	Neckrail
6	Scratcher

Step 6

- Continue through with the neckrail (5) and insert it in the next coupling (4).
- Slide the scratcher (6) along the neckrail (5) until it sits in the middle of the bed. This will be later fixed.

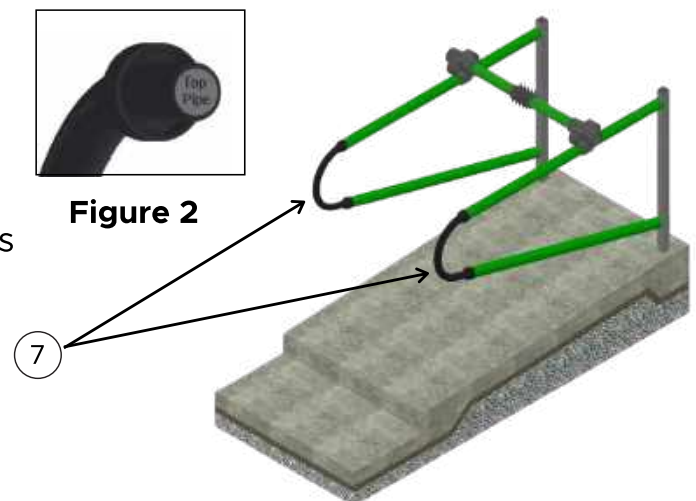


Step 7

- Insert the rubber loop (7) to the pipe, ensuring that the top side (See Figure 2) is inserted into the top pipe (2).
- Press fit the rubber loop in until the pipe is flush with the inside face of the loop.



Figure 2



<i>PARTS LIST</i>	
ITEM ID	PART NAME
7	Rubber Pipe

Positioning & Fixing the Cubicle


Positioning

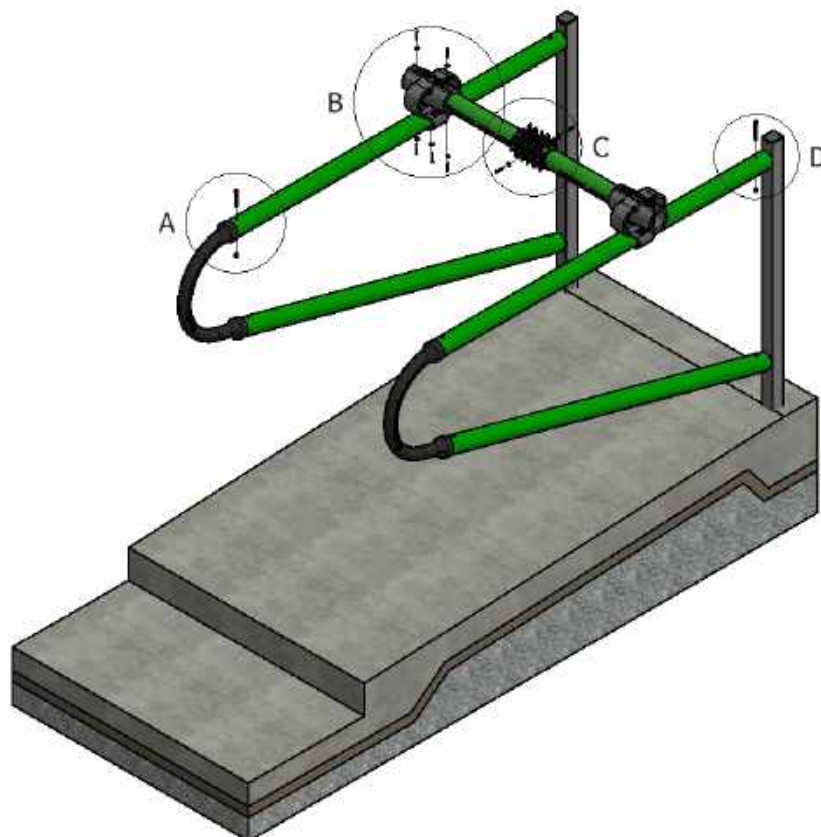
Refer to Appendix A for single cubicle assembly positioning guidelines

Refer to Appendix B for double cubicle assembly positioning guidelines

- The scratcher should sit in the middle of the cubicle. Use a measuring tape to find the center of the bed and center the scratcher along it. Ensure the short spikes of the scratcher face the bed to provide optimal positioning and use for the animal.
- A key measurement is the distance from the neckrail to the heelstone, as can be seen in Appendix A and Appendix B. This measurement should sit between 2058mm (6'9") and 2108mm (6'11").

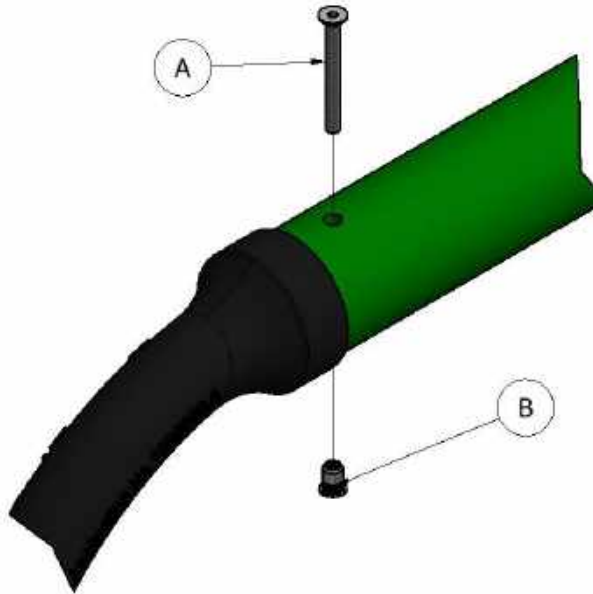
Fixing

- The Fixing ID identifies which bag the fixings belongs to in accordance to the bag identifier on the bag labels. It is advised to use the fixing for the application from the Fixing ID given in the instructions. These ID's are: 
- Detailed descriptions of the following fixing's can be found on the next page. Please pay close attention to each Fixing ID and to the relative quantity required.



Fixing the Cubicle

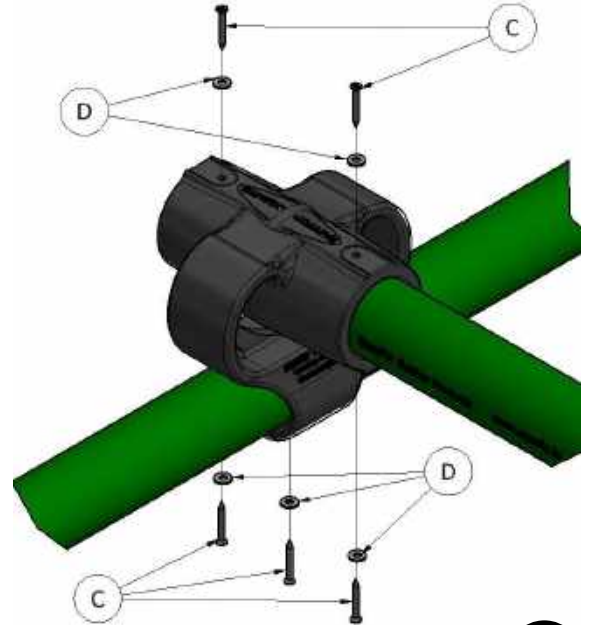
A - Loop to Pipe (Top & Bottom)



Fixing ID



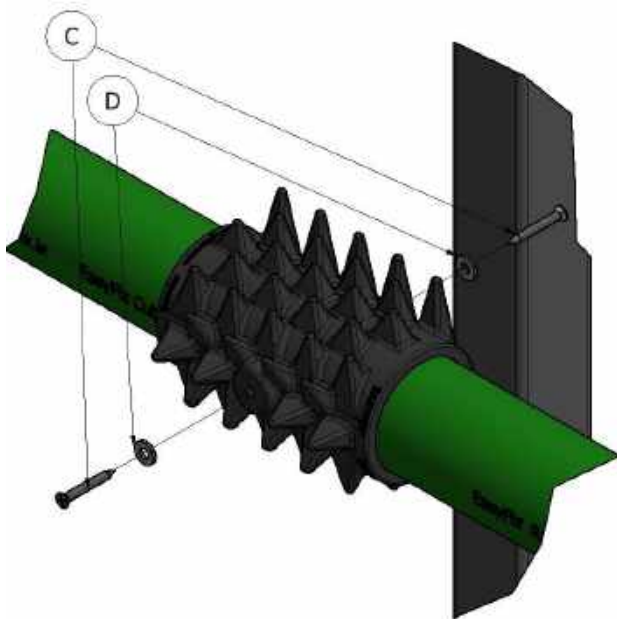
B - Coupling to Pipe/Neckrail



Fixing ID



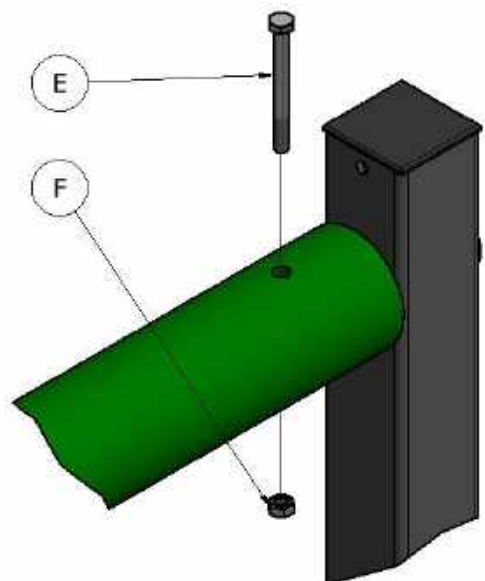
C - Scratcher to Neckrail



Fixing ID



D - Pipe to Stem (Top & Bottom)



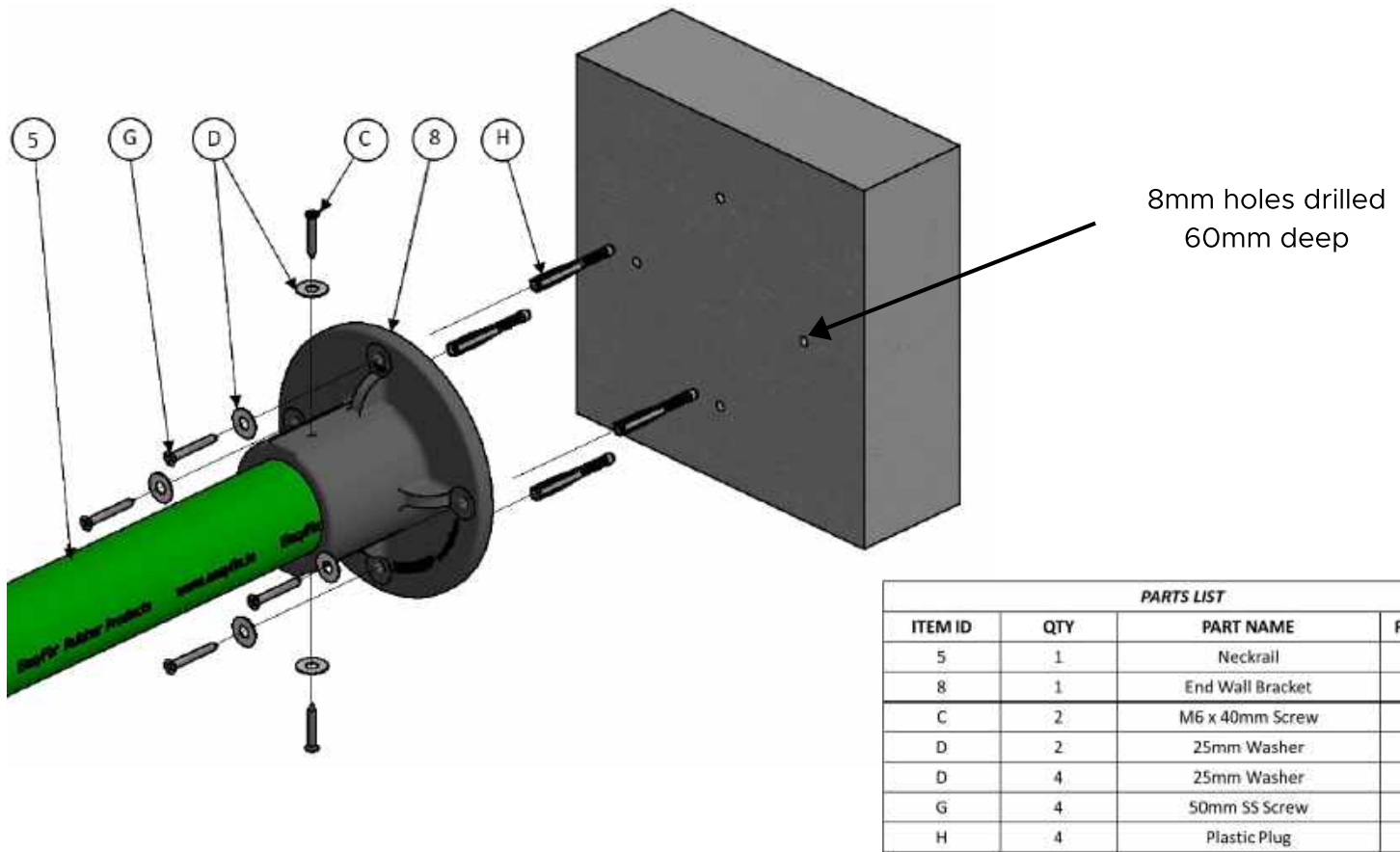
*Note that bolt E should already be in place from Step 3

Fixing ID



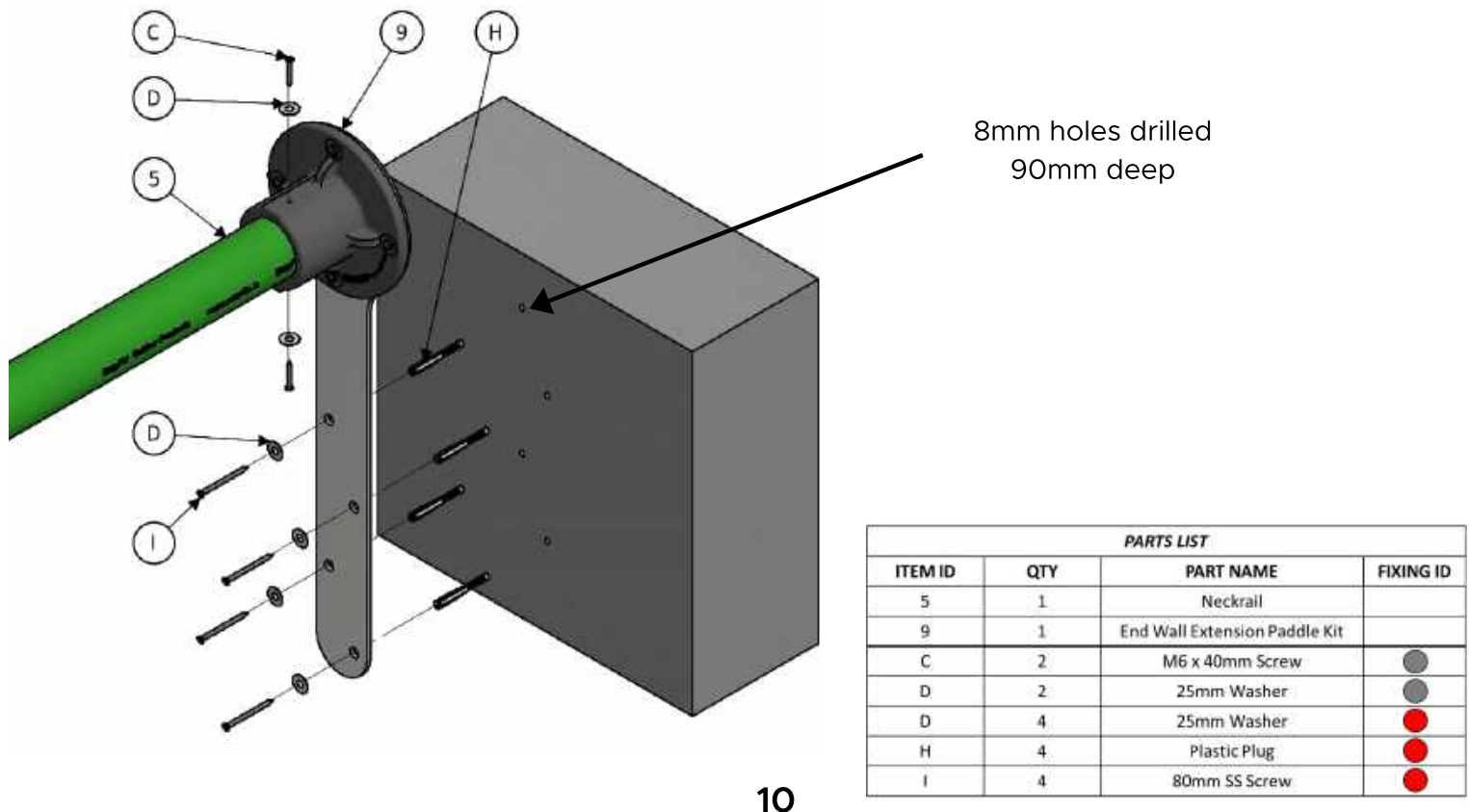
End Wall Bracket Installation

Positioning



End Wall Bracket: End Wall Extension Paddle Kit

For use where the neckrail runs above the height of the end wall



Final Step

Let the cows enjoy the comfort of your new
EASYFIX™ Cubicles!



Please feel free to email us your images via
marketing@easyfix.com or tag us on social media to
be featured on our page.



@EASYFIXOfficial



@EASYFIX_O

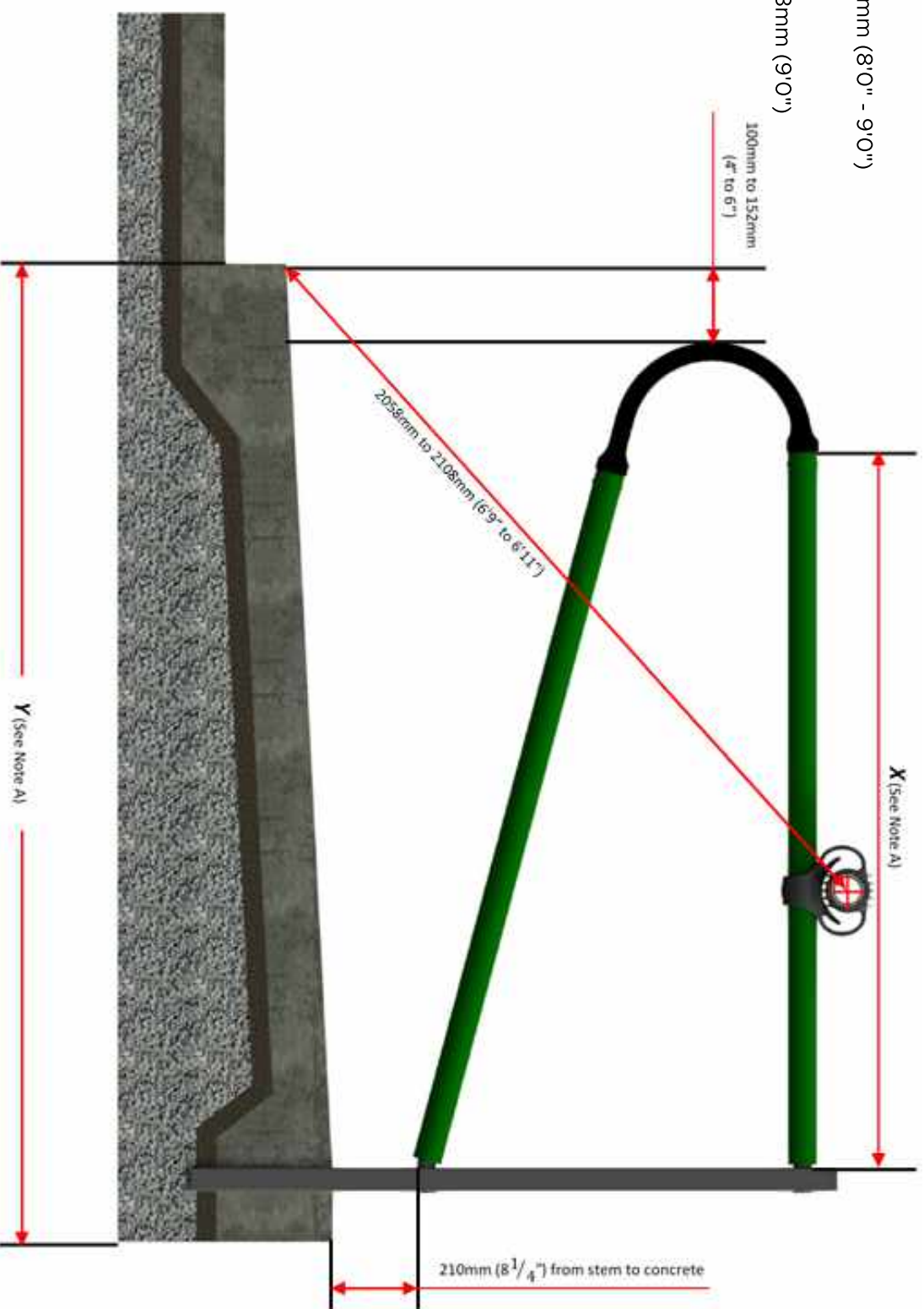
Note A

Pipe comes in 1.8m, 2m & 2.2m (5'11", 6'7", 7'3") lengths.

For Cubicle bed lengths (Y) of 2286mm-2438mm (7'6" - 8'0")
Use 1.8m (5'11") long pipes.

For Cubicle bed lengths (Y) of 2438mm-2743mm (8'0" - 9'0")
Use 2m (6'7") long pipes.

For Cubicle bed lengths (Y) greater than 2743mm (9'0")
Use 2.2m (7'3") long pipes.



Appendix B

Note B

Pipe comes in 1.8m, 2m & 2.2m (5'11", 6'7", 7'3") lengths.

To determine X:

For Cubicle bed lengths (Y) of 4572mm-4877mm (15' - 16')

Use 1.8m (5'11") long pipes.

For Cubicle bed lengths (Y) of 4877mm-5182mm (16' - 17')

Use 2m (6'7") long pipes.

For Cubicle bed lengths (Y) of 5182mm-5334mm (17' - 17'6")

Use 2.2m (7'3") long pipes.

Note: For bed lengths (Y) in excess of these guidelines, it is recommended to use two single posts back to back to achieve the correct cubicle loop to heelstone measurement (Z).

